

 **Xplore**



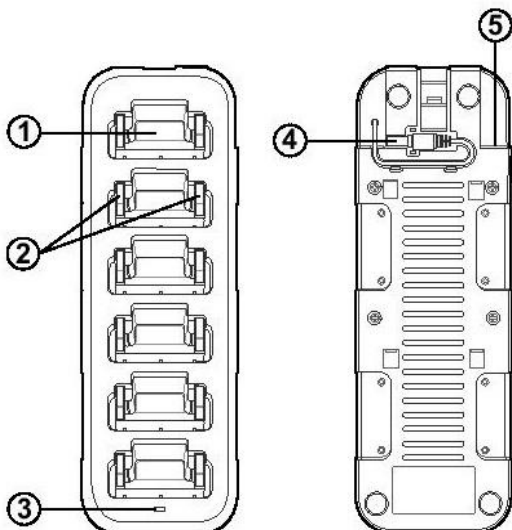
**User Manual**

## Safety Information

Please read the following carefully before first use and retain for future reference.

- Charge only the approved device with the charging cradle.
- Always treat the cradle with care and keep it in a clean and dust-free environment.
- Do not expose the cradle to extremely hot, cold or humid environment.
- Do not use the cradle in wet or rainy conditions.
- Do not perform charging in extremely hot or cold conditions.
- The operating temperature is from 0°C to 40°C.
- Do not attempt to disassemble or modify the cradle including the AC/DC adaptor.
- Do not operate the cradle when your hands are wet.
- Do not insert foreign objects into the openings of the cradle.
- Use only the AC/DC adaptor approved for the cradle.
- Do not use the AC/DC adaptor if the power cord or plug is damaged.
- Install the cradle on a flat and stable surface.
- Do not cascade over 2 cradles in series.

## Device Overview

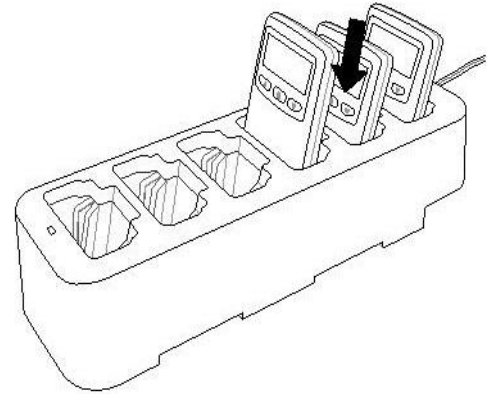


No.	Item	Description
1	Charging Slot	Inserting a pager to the slot for charging
2	Charging Plates	Charging contacts
3	Power LED	Cradle power indicator
4	DC Power Cable	Power cable for cascading cradles
5	Power Connector	Connect AC/DC Adaptor or DC power cable

## Charging a Pager

**Note:** The charging cradle is designed for charging the pager CSR-01 only.

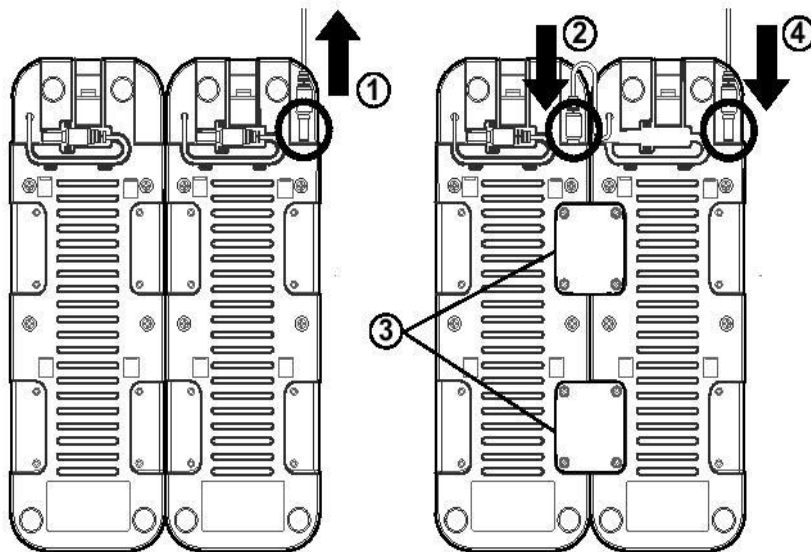
1. Connect the AC/DC adaptor to the power connector of the charging cradle.
2. Plug the AC/DC adaptor into a suitable power socket. The cradle power LED will turn green when power is supplied to the cradle.
3. Insert a pager to the charging slot. The pager LCD backlight will flash red while charging, and then it will turn green when fully charged.



## Cascading the Charging Cradles

The charging cradle can be cascaded in series to charge the pagers simultaneously with one AC/DC adaptor. Each adaptor supports maximum 2 cradles.

1. Disconnect the AC/DC adaptor, and turn over 2 cradles.
2. Connect the DC power cable of one cradle to the power connector of the other cradle.
3. Apply the metal plates to the recess areas, and tighten the screws with a coin or screwdriver.
4. Re-connect the AC/DC adaptor to the cradle.



## Cleaning the Charging Cradle

To clean the charging cradle:

1. Disconnect the AC/DC adaptor from the device.
2. Use a dry clean cloth to remove any dirt in the charging slot.
3. Dampen a soft clean cloth with 75% alcohol, or diluted dish washing liquid; and wipe the surfaces of the casing.
4. Dip a cotton bud in 75% alcohol, and use it to clean the contact plates.
5. Let the device air-dry, and then re-connect the AC/DC Adaptor.

## Specification

Item	Description
Device support	Pager CSR-01
Charging slot	6 charging slots
Power indicator	1 x Green LED
Power connector	1 x DC jack Connect AC/DC adaptor or DC power cable
DC power cable	1 x DC power cable for cascading charging cradles
Cascading cradles	Maximum 2 cradles
AC/DC adaptor	AC in: 100-240V DC out: 5.9V, 3A
Dimension	250mm x 85mm x 60mm
Weight	328g
Operating temperature	0°C to 40°C
Storage temperature	-20°C to 60°C
Operating humidity	20% - 80% non-condensing
Storage humidity	10% - 95% non-condensing

